

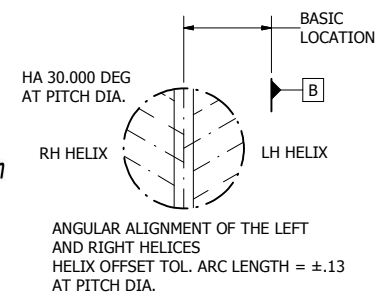
- NOTES:
1. MATERIAL: 1215 STEEL PER PTD-102A624-0001 LATEST REV, CLASS 3 A B
 2. FINISH AND TEXTURE: SEE PTD-102A624-0001 LATEST REV.
 3. DIMENSIONS, TOLERANCES, AND FEATURES SHOWN ON THIS DRAWING ARE TO BE USED FOR THE MANUFACTURING OF THE SPROCKET AND SUPERCEDE INFORMATION PROVIDED IN SILENTSYNC SPROCKET ENGINEERING SPECIFICATION PTD-102A624-0001 LATEST REV. PROVIDED ON THIS DRAWING. WHERE EVER THIS SPECIFICATION IS MENTIONED THE CURRENT REVISION LEVEL SHOULD ALWAYS BE ASSUMED.
 4. SPROCKET TO BE FREE OF ALL BURRS AND SHARP EDGES
 5. ALL CHAMFERS AND RADIUS 0.5 UNLESS OTHERWISE STATED.

* MAX SPEED IS BASED ON BELT CAPACITY, CONTACT BELT MANUFACTURER FOR DETAILS. SPROCKETS MAY EXIST IN INVENTORY FROM PREVIOUS TYPE 1 MATERIAL AND ARE STAMPED WITH APPROPRIATE MAX RPM. SPROCKETS STAMPED WITH AN S INDICATE STEEL MATERIAL.

8 mm SPROCKET DATA
 CLASS OF SPROCKET: CLASS 3 A
 NUMBER OF TEETH: 18
 PART NUMBER: P-18S-MPB
 PITCH DIA: 45.8370
 MAX RPM: 21371*
 SAP: 20160264



41669 Date Street, Suite 101
 Murrieta, CA 92562
 phone: 951.677.7424
 fax: 951.677.7334
 email: sales@rainbowprecisionproducts.com
 web: www.rainbowprecisionproducts.com



UNCONTROLLED

 THIRD ANGLE PROJECTION	DIMENSIONS IN MM UNLESS OTHERWISE SPECIFIED TOLERANCE UNLESS OTHERWISE SPECIFIED ONE PLACE: ± 0.5 ANGULAR DIM ± 1° TWO PLACE: ± 0.13 ALL OTHERS: ± 1	THIS DRAWING AND THE SUBJECT MATTER THEREIN ARE THE PROPERTY OF VEYANCE TECHNOLOGIES INC., FAIRLAWN, OHIO, AND CONTAINS CONFIDENTIAL AND/OR PROPRIETARY INFORMATION AND MAY NOT BE COPIED, USED, OR DIVULGED WITHOUT EXPRESS WRITTEN CONSENT OF VEYANCE TECHNOLOGIES. ALL DRAWINGS AND ALL PARTIAL OR COMPLETE COPIES THEREOF WILL BE RETURNED OR DESTROYED UPON REQUEST.	 Lincoln, NE	DRAWING SCALE: 1:1 DRAWING SIZE: C DRAWING NUMBER: PT3-P018624-MPB
DRAWING PRODUCED TO ISO STANDARDS, GDT ISO 1101				

	C	11-05-2014	S. GOMEZ	DIMENSION WATCHED TO GDT REV 6
	B	12/30/2005	CR RATHKE	REV. TOL. ON AXIAL & RADIAL LOOKOUT. STRADDLES AND OD
	A	07/17/2003	CR RATHKE	ON 06-04-03 MATERIAL CHANGED FROM DUCTILE IRON
	O			
	REVISION NUMBER	DATE:	REVISED BY:	DRAWING CREATED
DRAWN BY: D. BELIK		DATE: 05/10/02		
CHECKED BY:		DATE:		
APPROVED BY:		DATE:		
DRAWING TITLE: 8 MM SILENTSYNC STOCK-LINE SPROCKET				